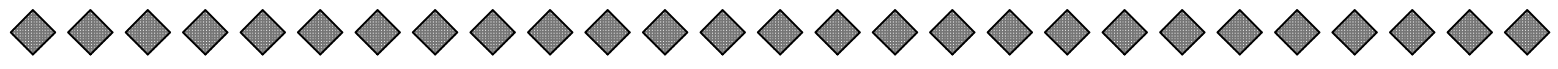
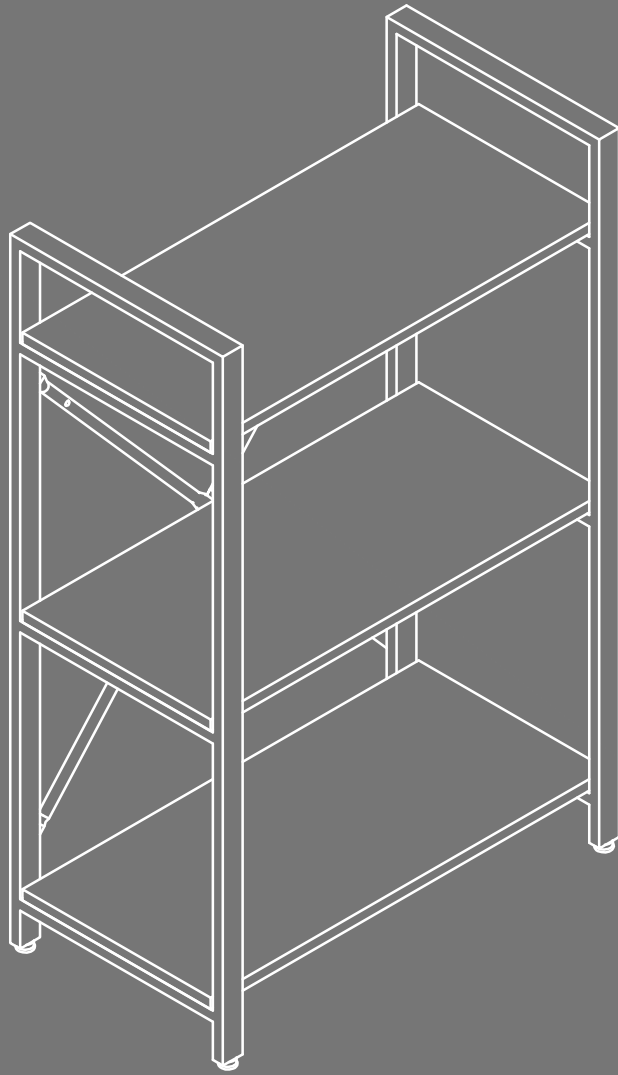
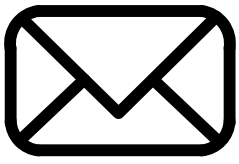


# ASSEMBLY INSTRUCTION



*3-Tier Bookshelf  
Item No.: BNG-BS1802  
Need help: [service@bon-augure.com](mailto:service@bon-augure.com)*

# BON-AUGURE

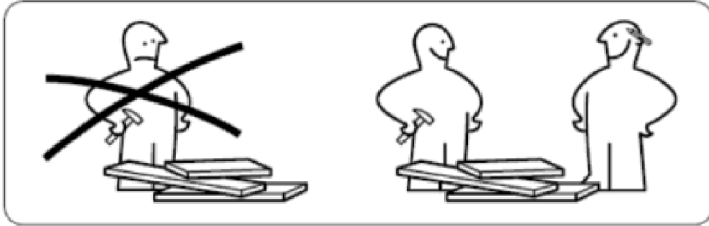


Thank you for purchasing our bookshelf. If any parts missed or damaged, please do not hesitate to contact with us, we will send you the replacement parts immediately.

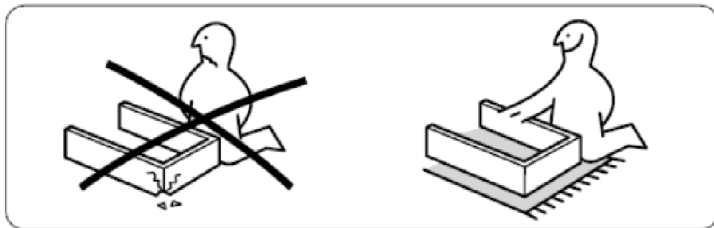
Email: [service@bon-augure.com](mailto:service@bon-augure.com)

## ASSEMBLY TIPS, IT IS AS EASY AS 1,2,3

1. Please read the assembly instructions first and become familiar with the parts.
2. Proper assembly of this item requires 2 people.



3. Unpack and assemble this unit in an spacious area, assemble the unit on top of the empty carton or carpet to prevent scratches.



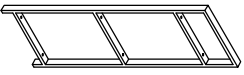
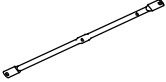
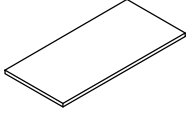
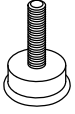
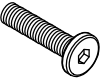
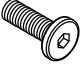


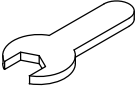

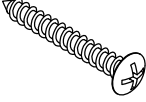
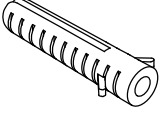
4. To avoid accidentally discarding small parts or hardware, **DO NOT** dispose of any contents until assembly is completed.
5. **Do not fully tighten all bolts until all parts are in place.** Failure to follow these instructions may cause the bolts to misalign during assembly.
6. Taking out the hardware as you need it so you don't get the screws mixed up.

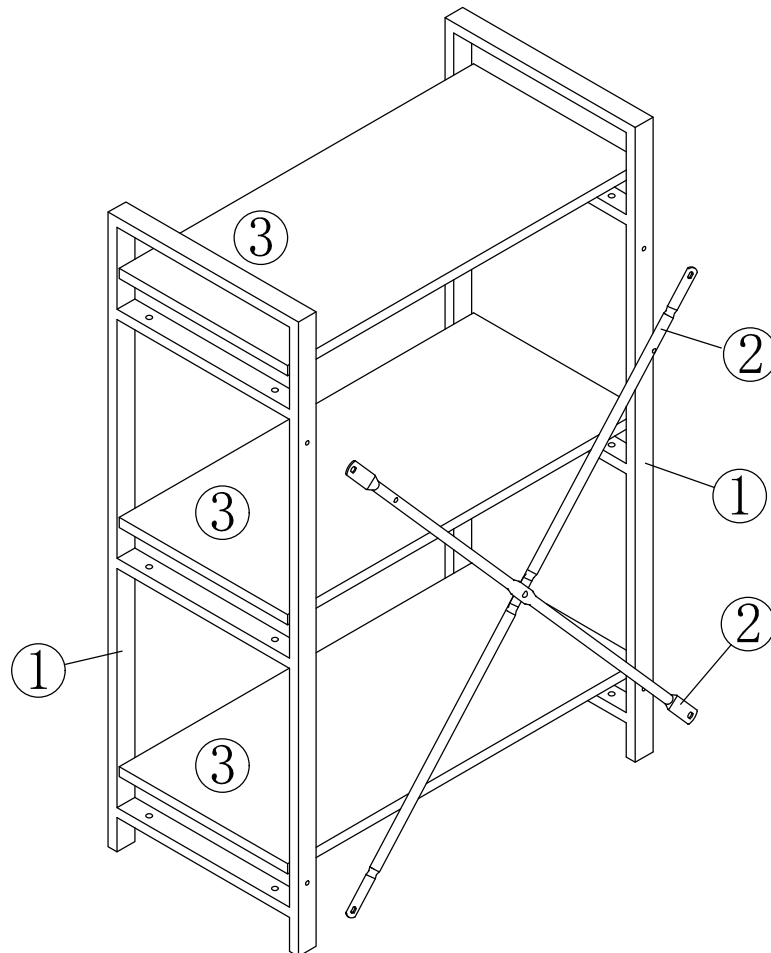
## CARE INSTRUCTIONS

- (1) Hardware may loosen overtime. Periodically check that all connections are tight.
- (2) Wipe with a soft, dry cloth. To protect finish, avoid the use of chemicals and household cleaners.
- (3) All hot serving dishes should be placed on a pad.
- (4) Any liquid spilled onto the furniture should be cleaned up immediately with a dry cloth.

# Part Identification

⚠ While not all parts are labeled, some of the parts will have a label on the edge to help distinguish similar parts from each other. Use this part identification to help identify similar parts.

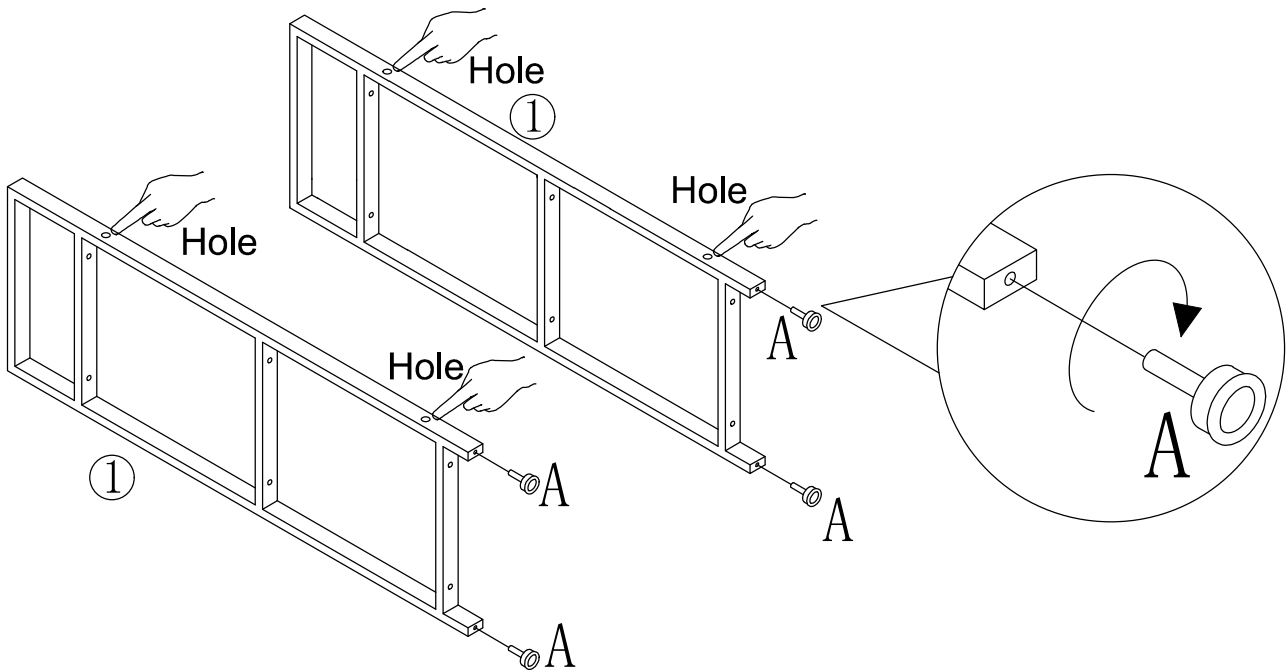
① 	② 	③ 	A 
Metal Frame 2 pcs	Crossbar 2 pcs	Shelf 3 pcs	Adjustable Leveler 4 pcs
B 	C 	D 	E 
M6*25 mm Longest Allen Bolt 12 pcs	M6*20 mm Allen Bolt 1 pc	M6*12 mm Shortest Allen Bolt 4 pcs	M6 Nut 1 pc
F 	G 	H 	I 
Wrench 1 pc	Allen Key 1 pc	Self Tapping Screw 2 pcs	Plastic Anchor 2 pcs



# Step 1

Important Note: To avoid incorrect assembly, please follow our steps strictly. (Need Help: [service@bon-augure.com](mailto:service@bon-augure.com))

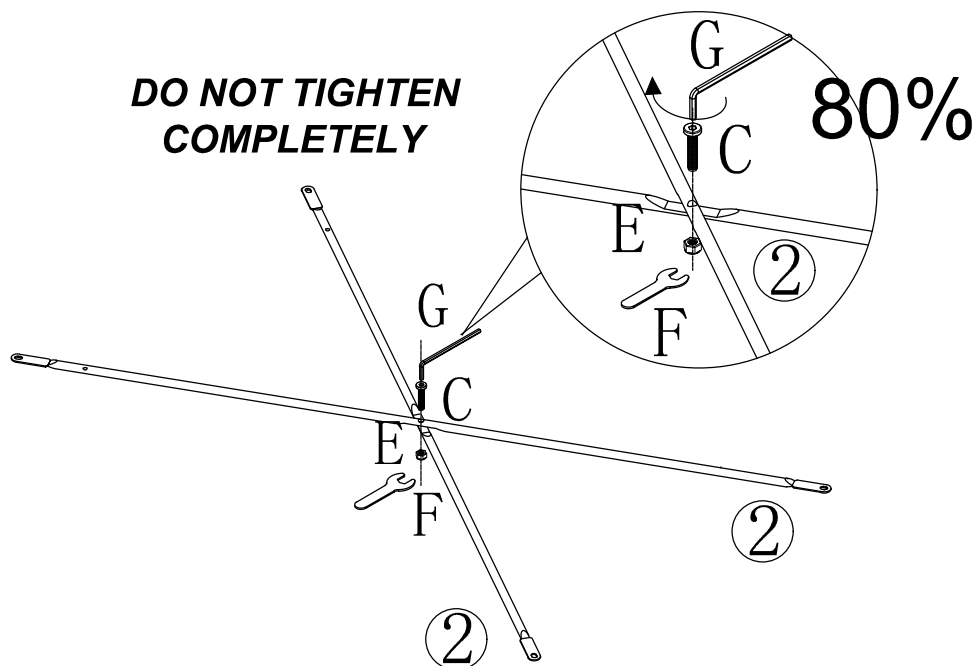
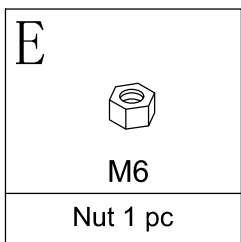
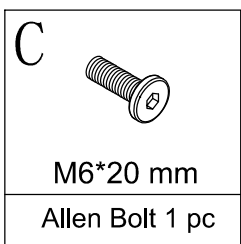
🔧 Lay 2 pcs metal leg frame (①) parallel to each other on the shipping box. Please note that there are 2 holes on the edge of each metal frame (①). These 4 holes **MUST** be on the top side. Attached 4 pcs adjustable levelers (A) to the metal frame (①) as needed for uneven flooring.



# Step 2

Important Note: To avoid incorrect assembly, please follow our steps strictly. (Need Help: [service@bon-augure.com](mailto:service@bon-augure.com))

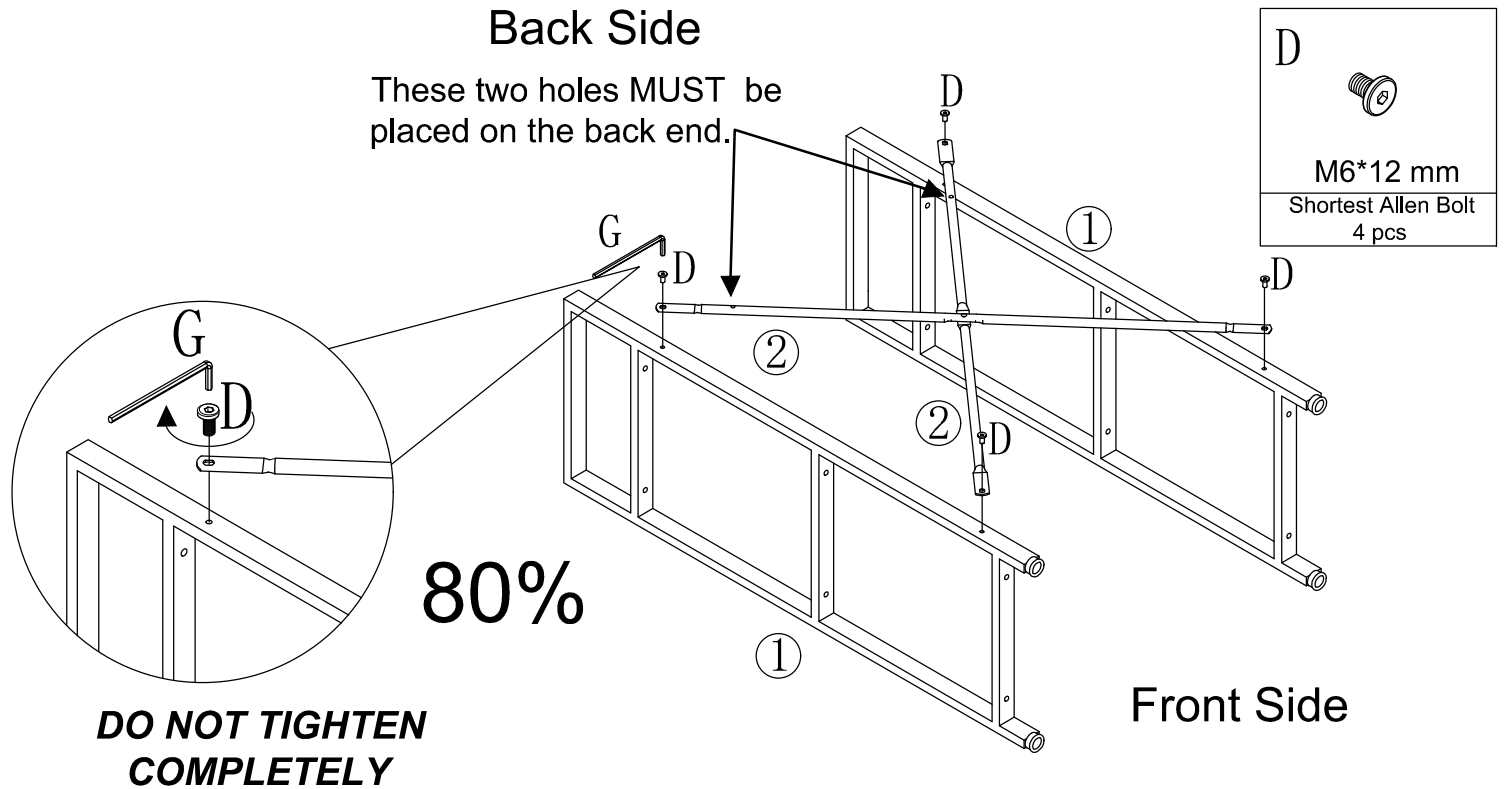
🔧 Fasten 2 pcs crossbar (②) together with 1 pc allen bolt (C) & 1 pc nut (E), fix by using allen key (G) & wrench (F). **DO NOT TIGHTEN COMPLETELY**. Stop when you feel you are adding force to tighten the bolt.



# Step 3

Important Note: To avoid incorrect assembly, please follow our steps strictly. (Need Help: [service@bon-augure.com](mailto:service@bon-augure.com))

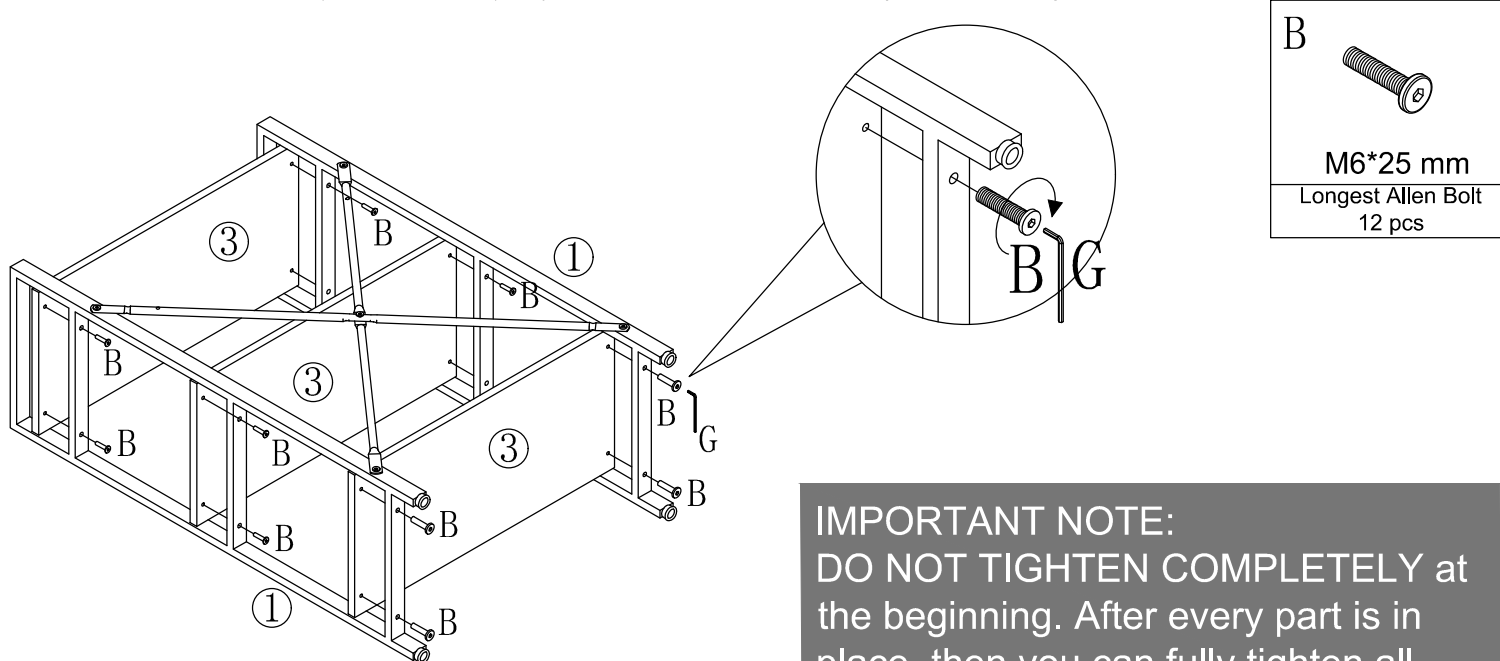
Attached the assembled crossbars (②) to the metal frames (①), fix by using 4 pcs shortest allen bolt (D) and allen key (G). DO NOT TIGHTEN COMPLETELY. Stop when you feel you are adding force to tighten the bolts.



# Step 4

Important Note: To avoid incorrect assembly, please follow our steps strictly. (Need Help: [service@bon-augure.com](mailto:service@bon-augure.com))

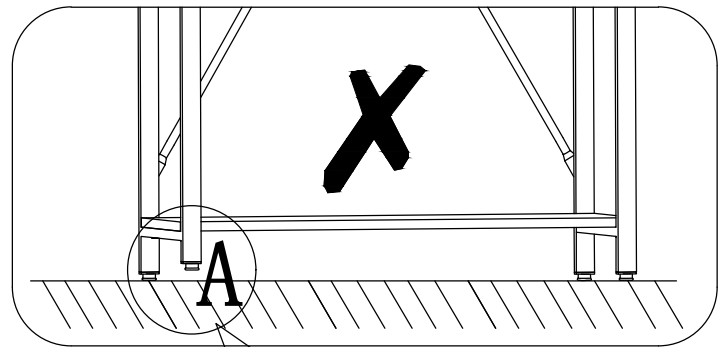
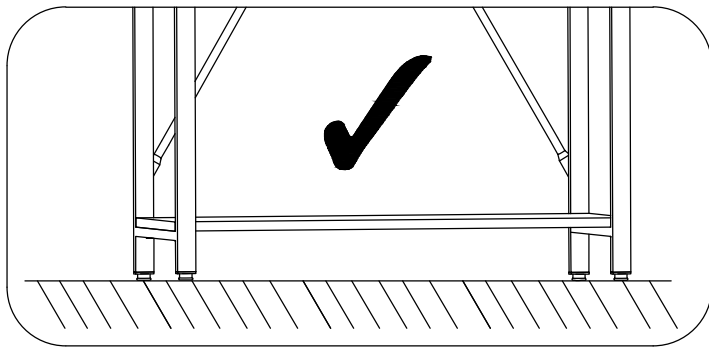
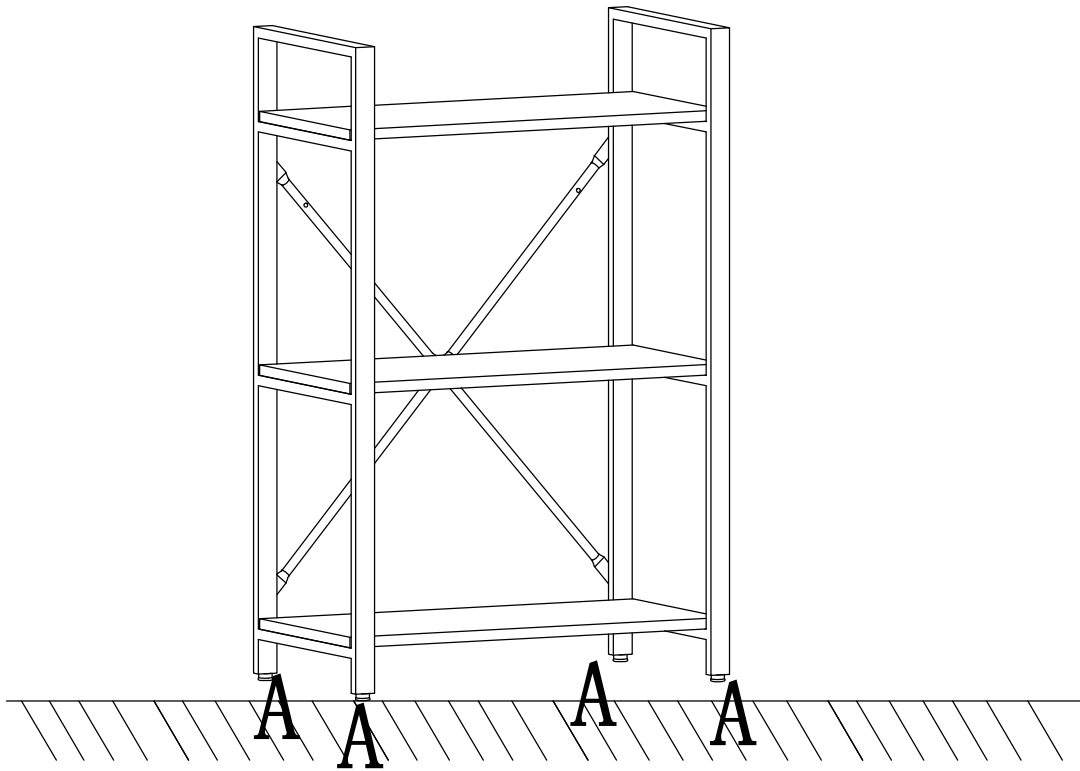
Then attached 3 pcs shelf (③) into the assembled metal frame (①), fix by using 12 pcs longest allen bolt (B) and allen key (G). DO NOT TIGHTEN COMPLETELY at the beginning. After every part is in place, then you can fully tighten all bolts and nut (B&C&D&E).



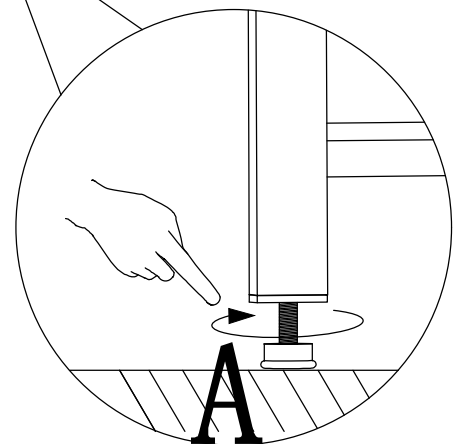
# Step 5

Important Note: To avoid incorrect assembly, please follow our steps strictly. (Need Help: [service@bon-augure.com](mailto:service@bon-augure.com))

⚙️ Contrarotate adjustable leveler (A) until the leveler bottom is against the surface of the floor.



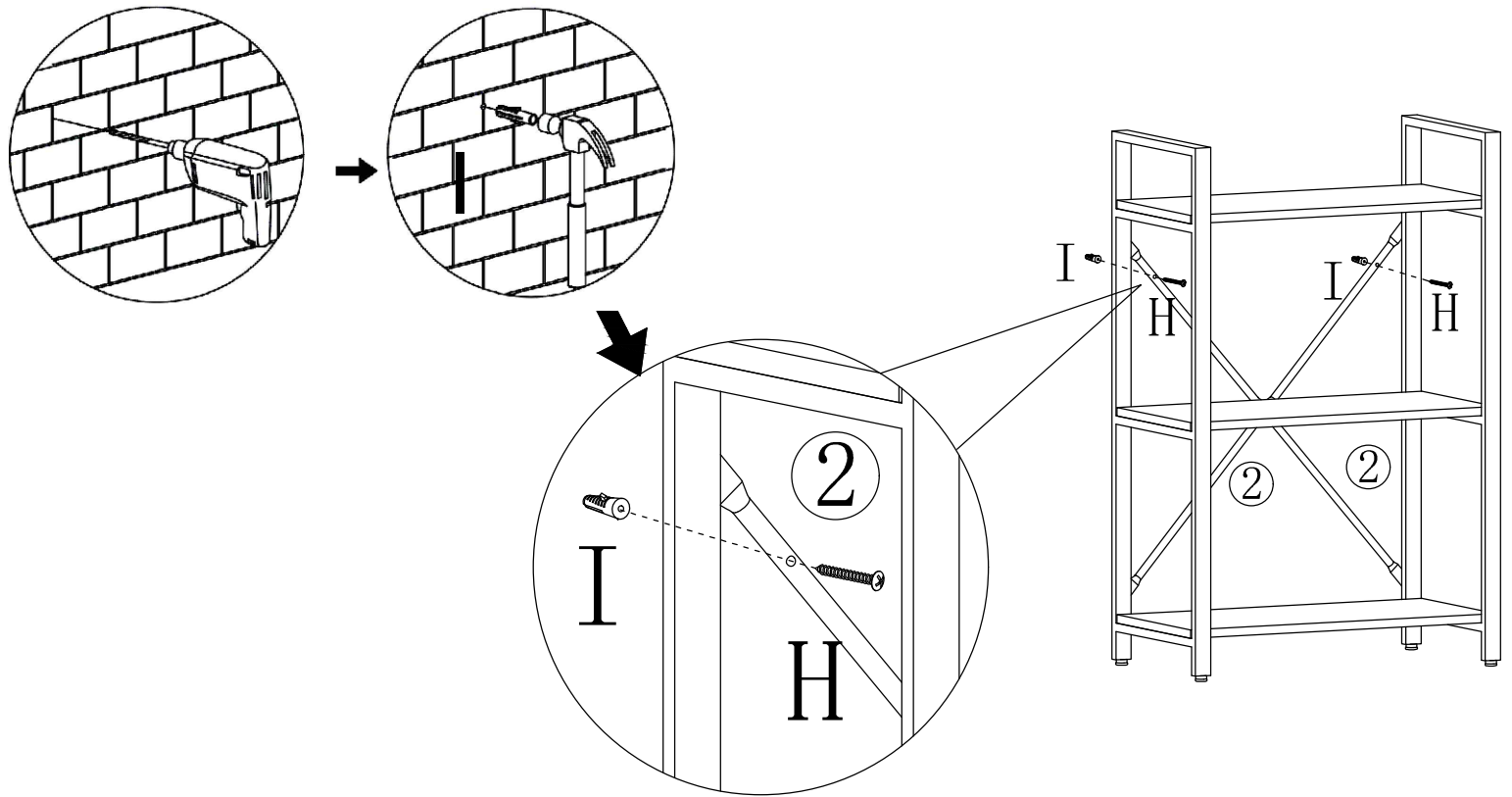
NOTE: Contrarotate adjustable leveler (A) until the leveler bottom is against the surface of the floor.



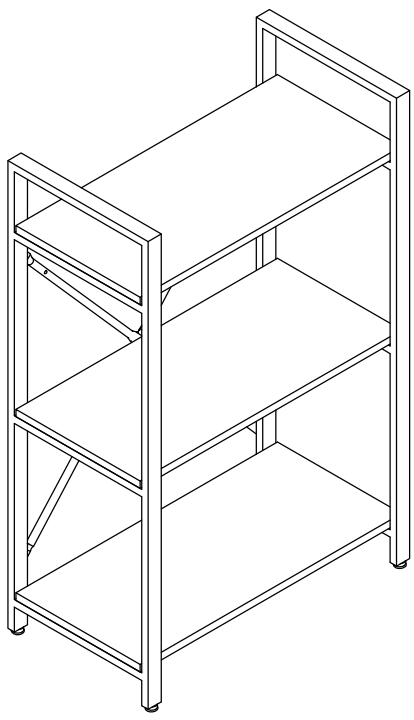
# Step 6

Important Note: To avoid incorrect assembly, please follow our steps strictly. (Need Help: [service@bon-augure.com](mailto:service@bon-augure.com))

📌 To prevent injury and property damage from unexpected tipping of furniture, we highly recommend installation of the anti-tip kit included with this product. Drill 2 holes at marked spot with a drill bit. Carefully hammer in 2 pcs plastic anchors (I). Then attached 2 pcs crossbar (2) to 2 pcs plastic anchors (I), fix by using self tapping screw (H).



Important note: If you find the holes do not align together, you can loosen all the screws, and adjust the holes slightly. After all the holes were aligned together, you can fully tighten all the screws.



## Finish Assembly

📌 If you have any questions or need any replacement parts, please do not hesitate to contact us at any time. We will reply your email within 24 hours.  
**[service@bon-augure.com](mailto:service@bon-augure.com)**